

# MAS Series

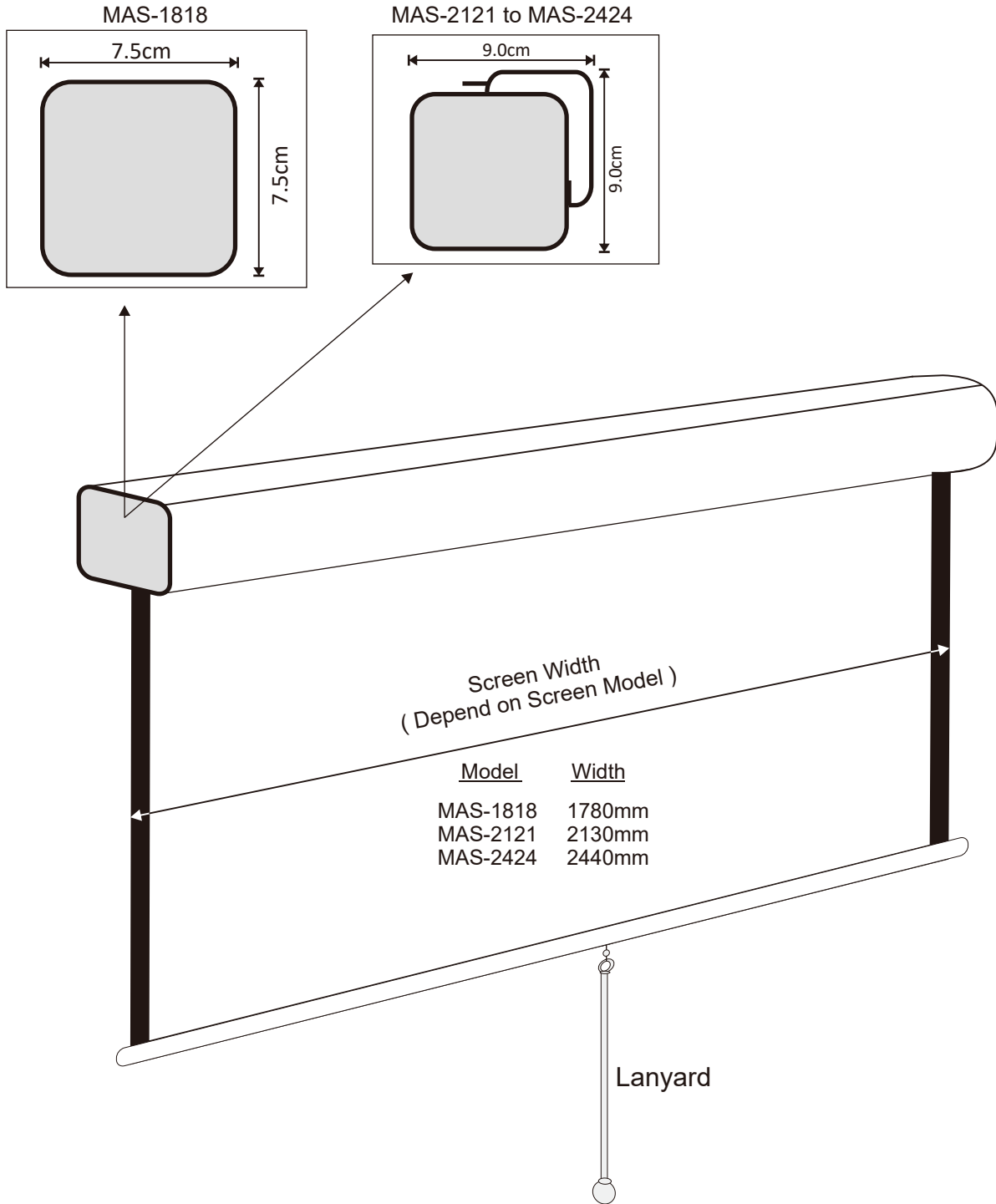
## Tender / Bid specifications :

### Specifications for Non-Motorized Projection Screen:

- Screen Size: 1800mm x 1800mm to 2400mm x 2450mm
- Screen Gain: 1.2
- Viewing Angle: 160 degrees viewing cone
- Screen Materials: Matte White with fibreglass coating,  
Flame Retardant and fungus resistant
- Construction & Design: Heavy Duty aluminium casing with powder-coating finishing  
Strong tensioning device to ensure flat screen  
Auto-Gear Mechanism for precise and effective stopping at desired height  
Auto-Gear Mechanism to allow screen roll up smoothly and steady like a motorized screen
- Installation: Come with universal brackets for wall or ceiling mounting  
Screen position can be adjusted horizontally even after installed

# Dimension of MAS Series Screen

## Casing Sectional View



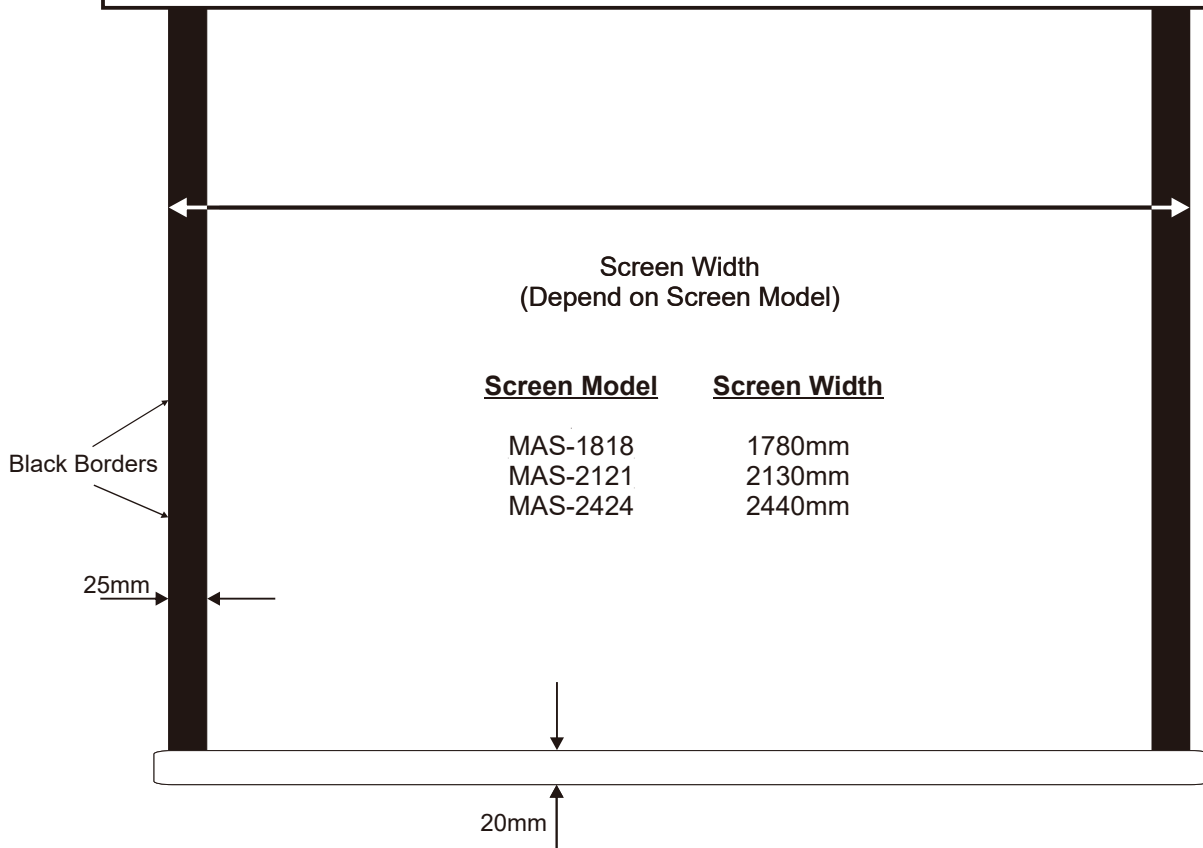
# Pelmet Mounting: Recommended Pelmet Size

## MAS Series (Standard Size)

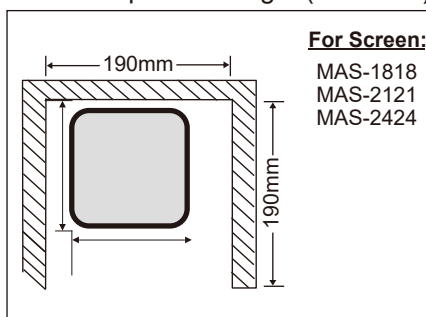
Recommended Pelmet Width = Screen Casing Width + 100mm

Screen Casing Width = Screen Width + 110mm (MAS-1818)

Screen Casing Width = Screen Width + 140mm (MAS-2121 & MAS-2424)



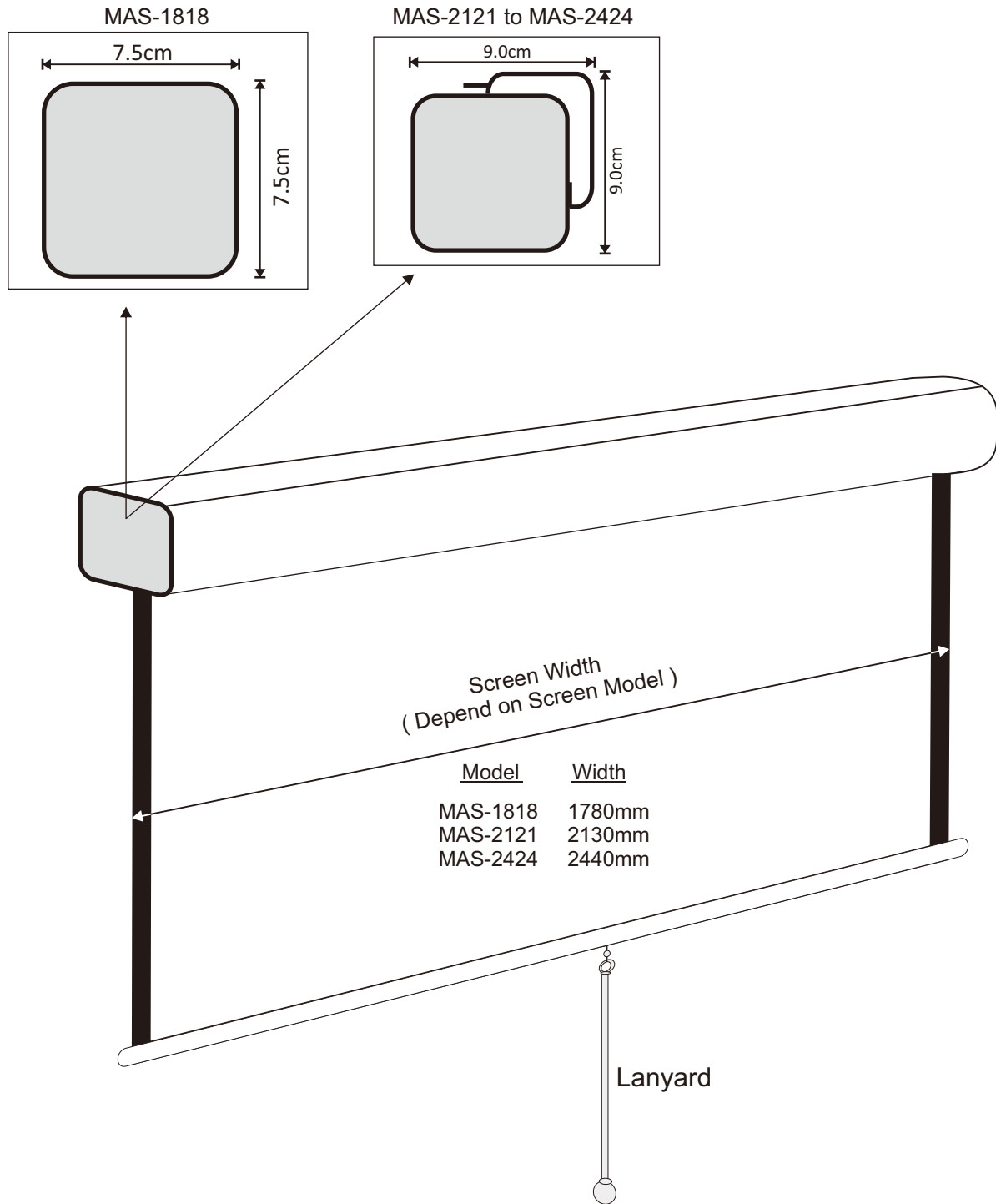
### Pelmet depth and height (Minimum)



Sectional View

# Dimension of MAS Series Screen

Casing Sectional View

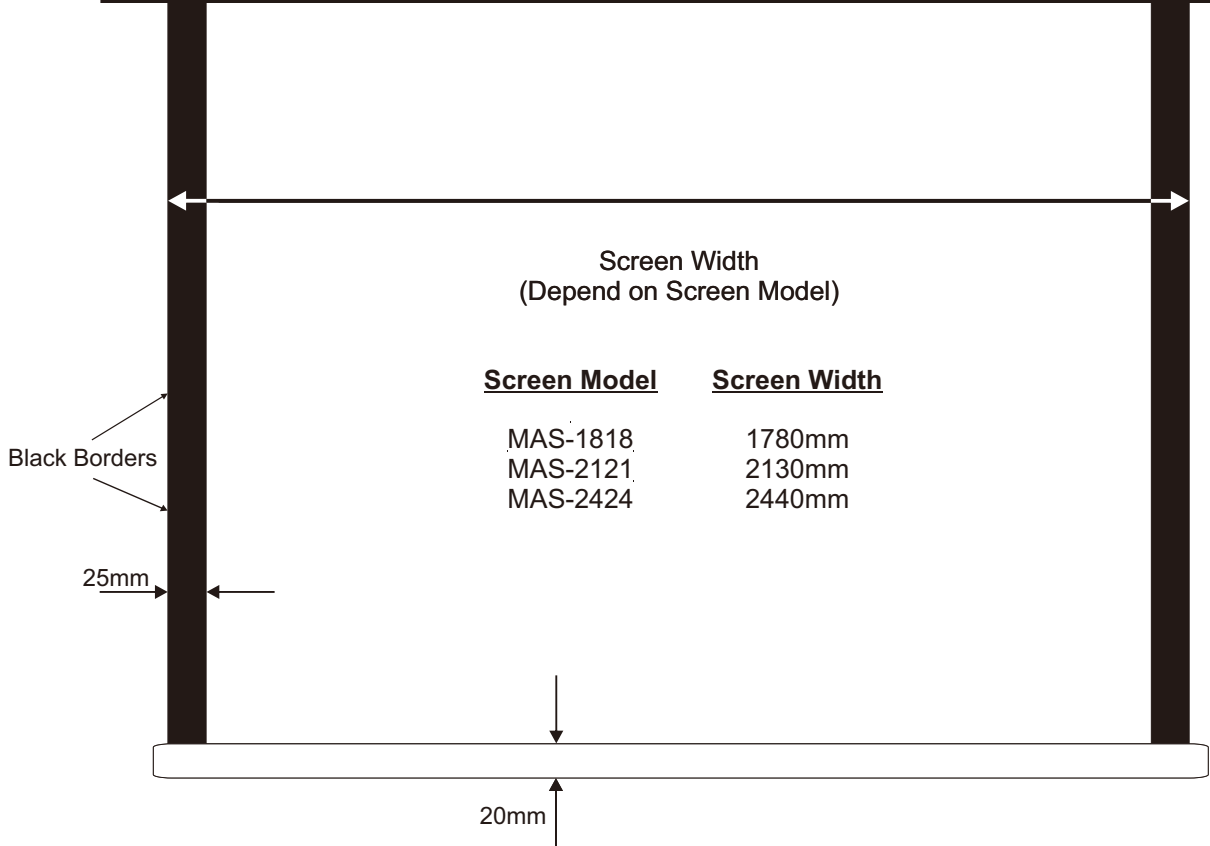


# Pelmet Mounting: Recommended Pelmet Size

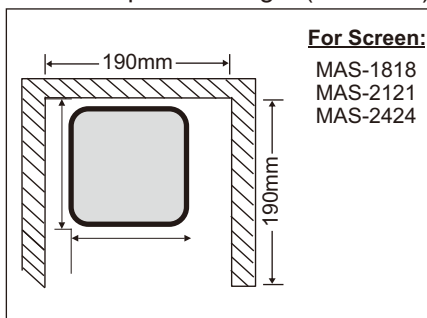
## MAS Series (Standard Size)

Recommended Pelmet Width = Screen Casing Width + 100mm

Screen Casing Width = Screen Width + 110mm (MAS-1818)  
 Screen Casing Width = Screen Width + 140mm (MAS-2121 & MAS-2424)



### Pelmet depth and height (Minimum)



Sectional View